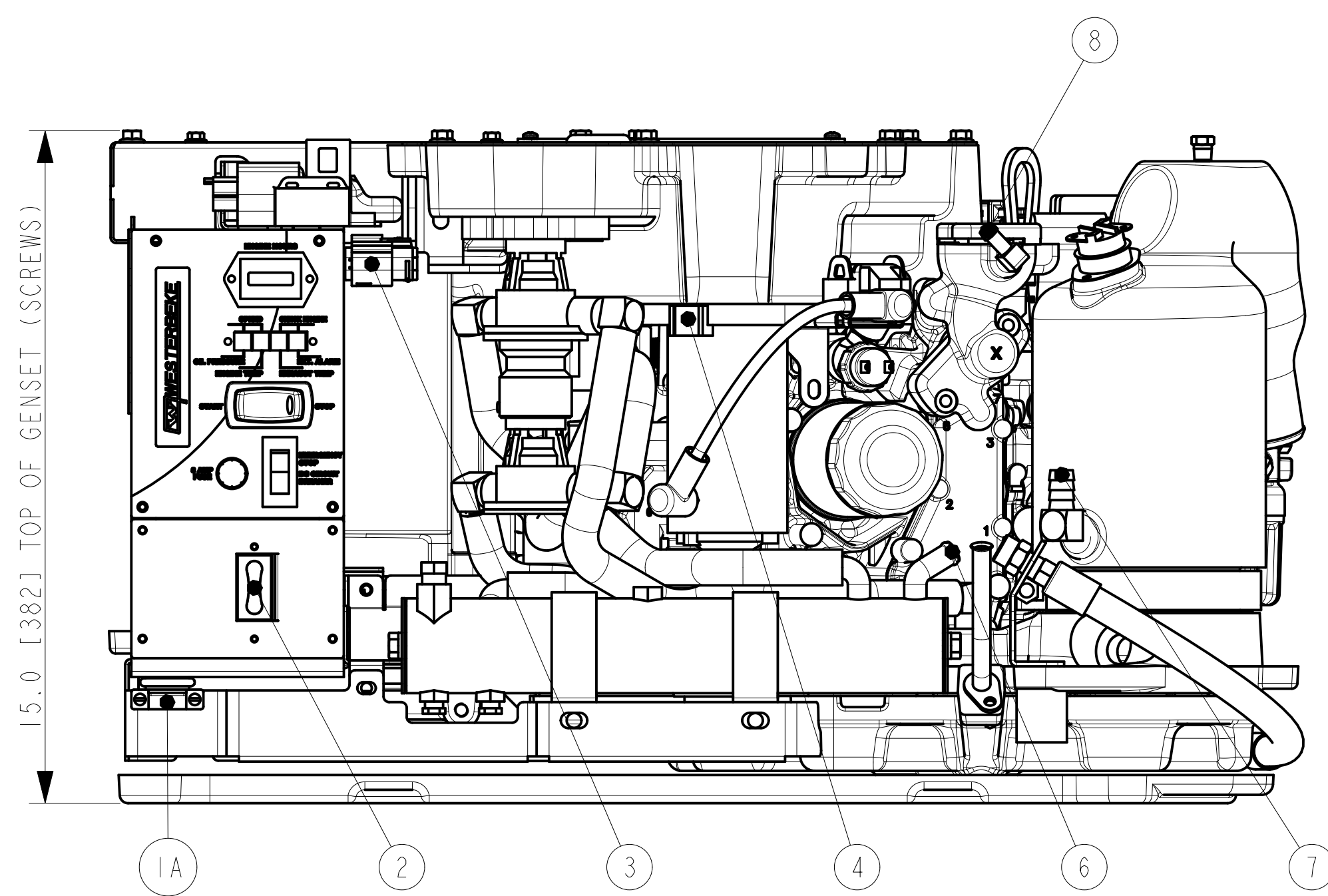
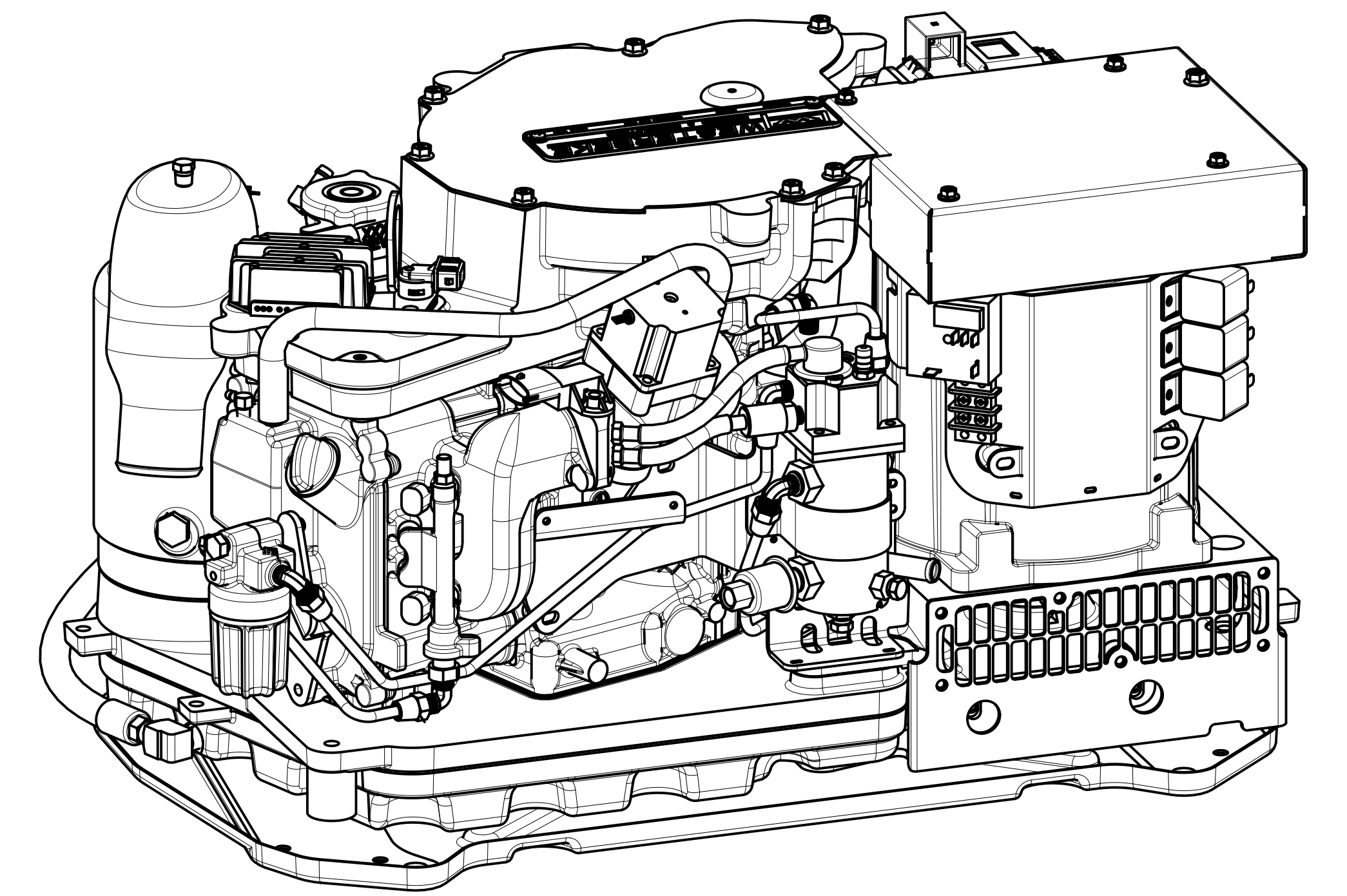
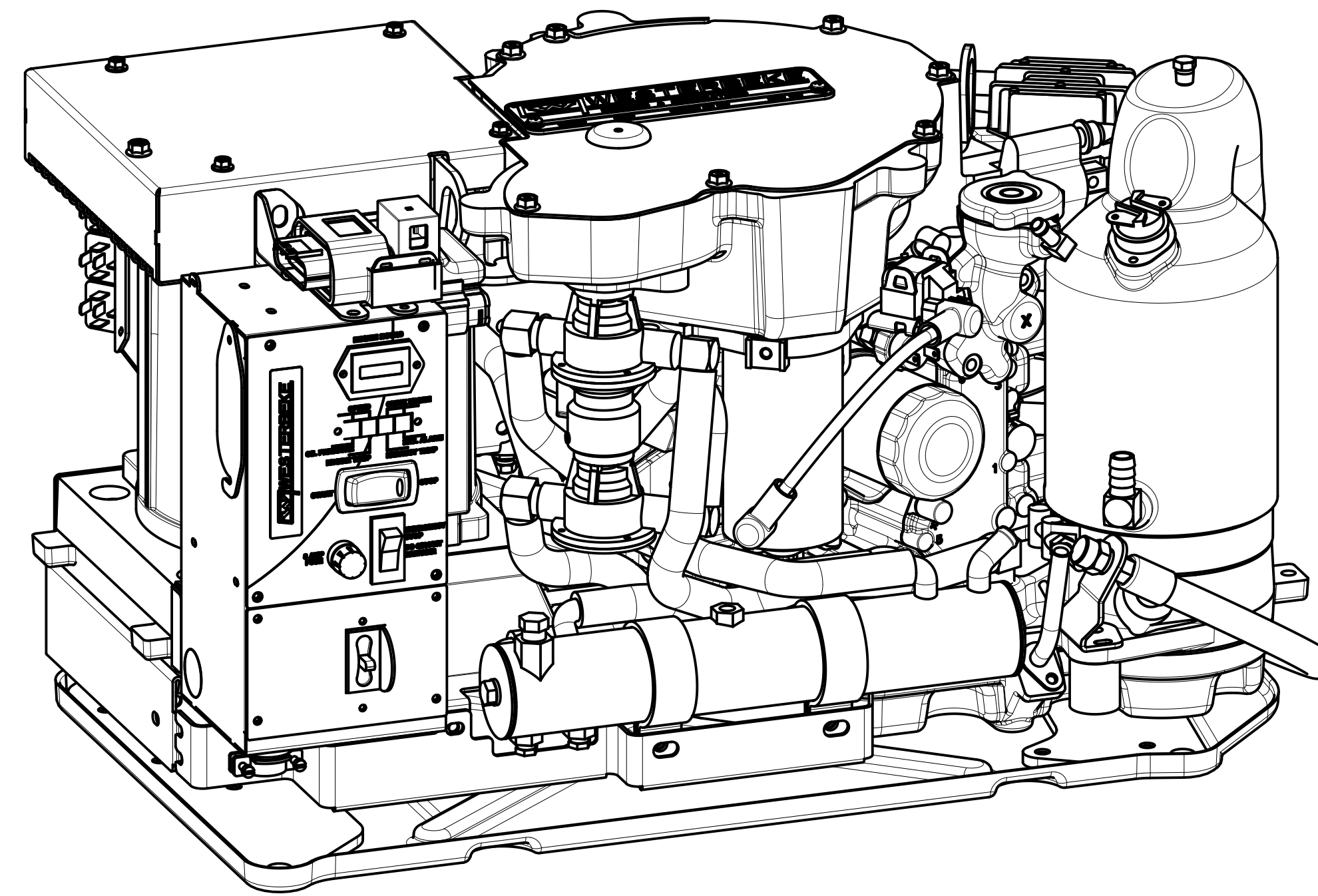
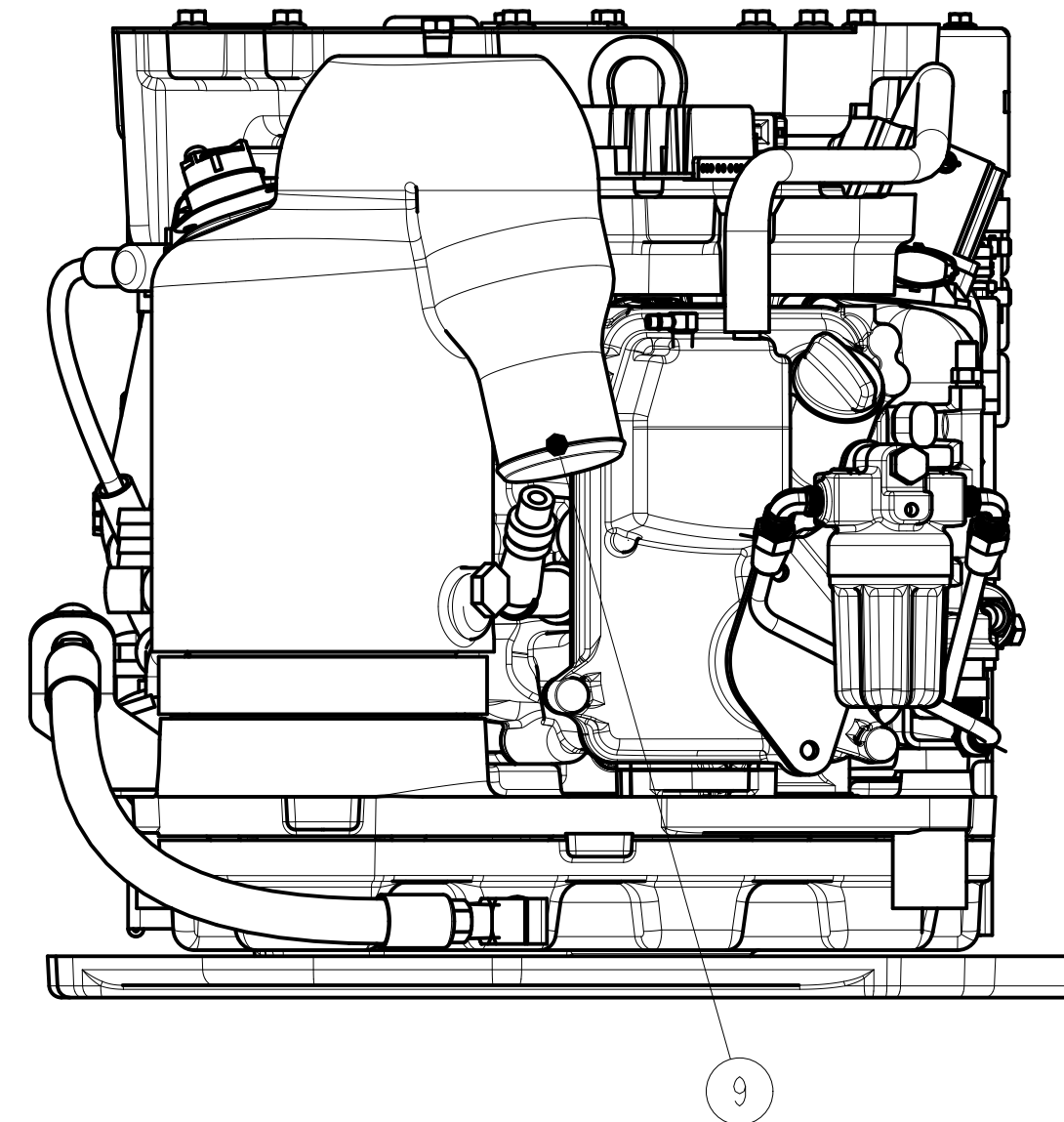


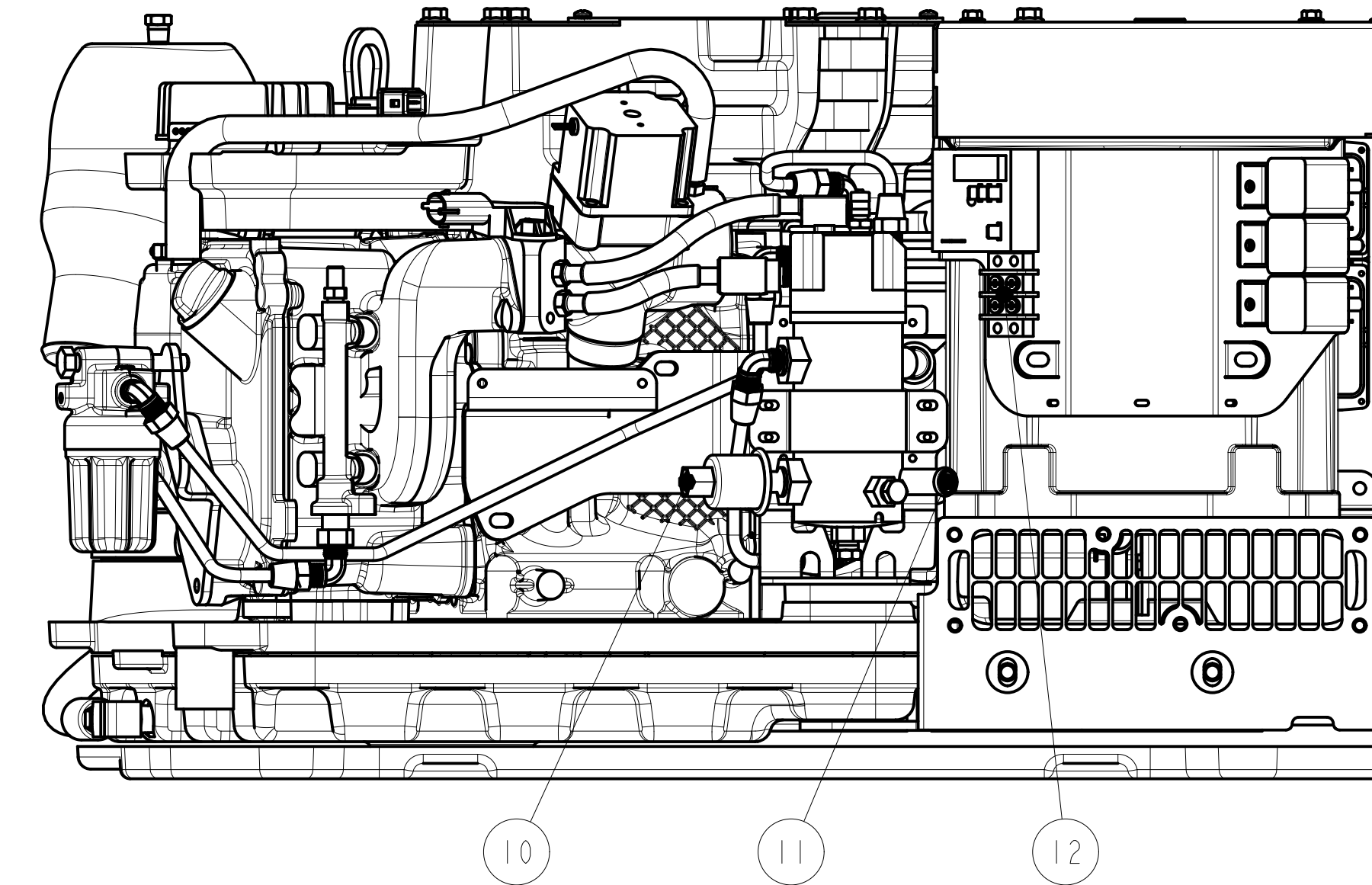
TOP



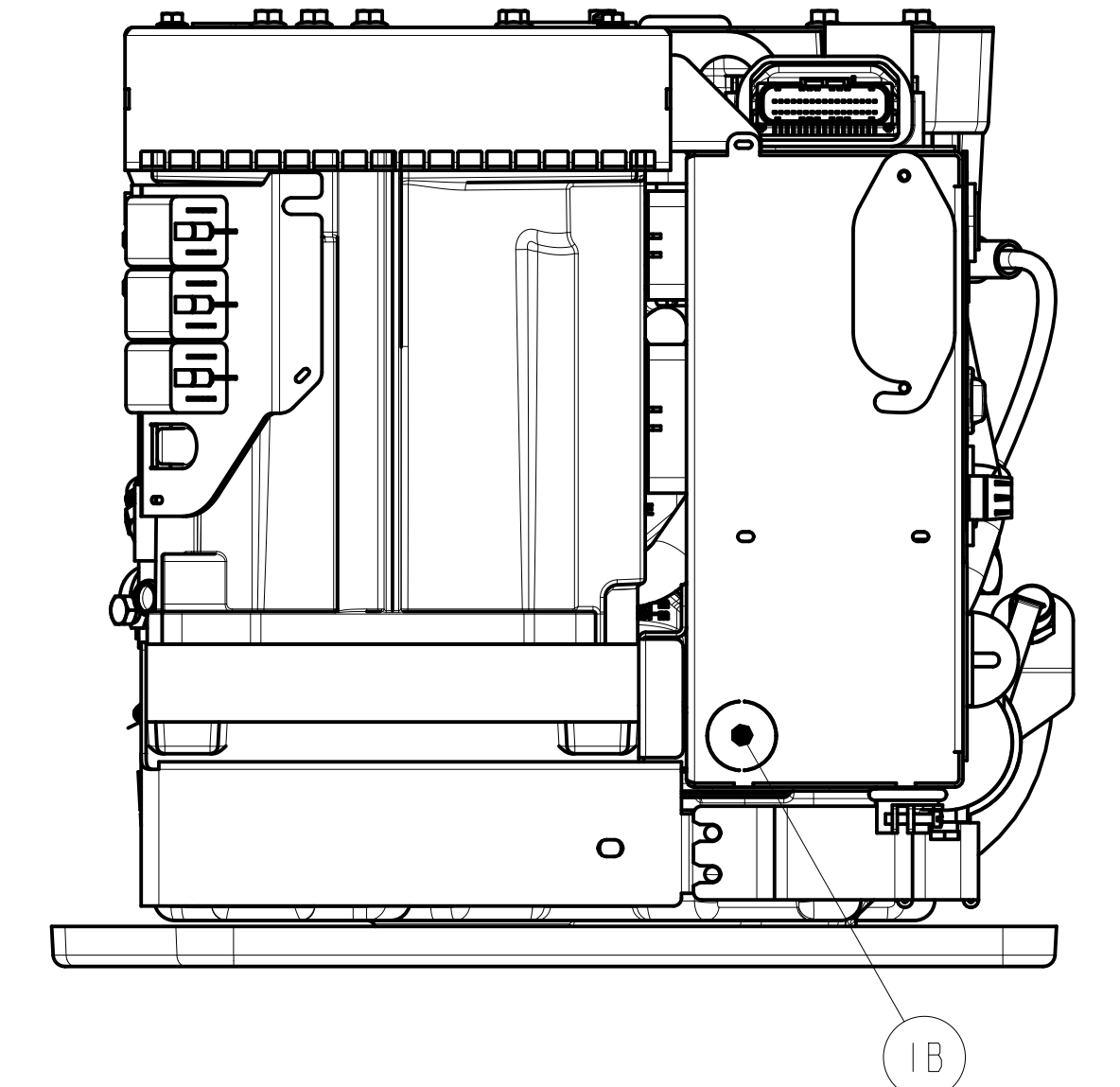
SERVICE SIDE



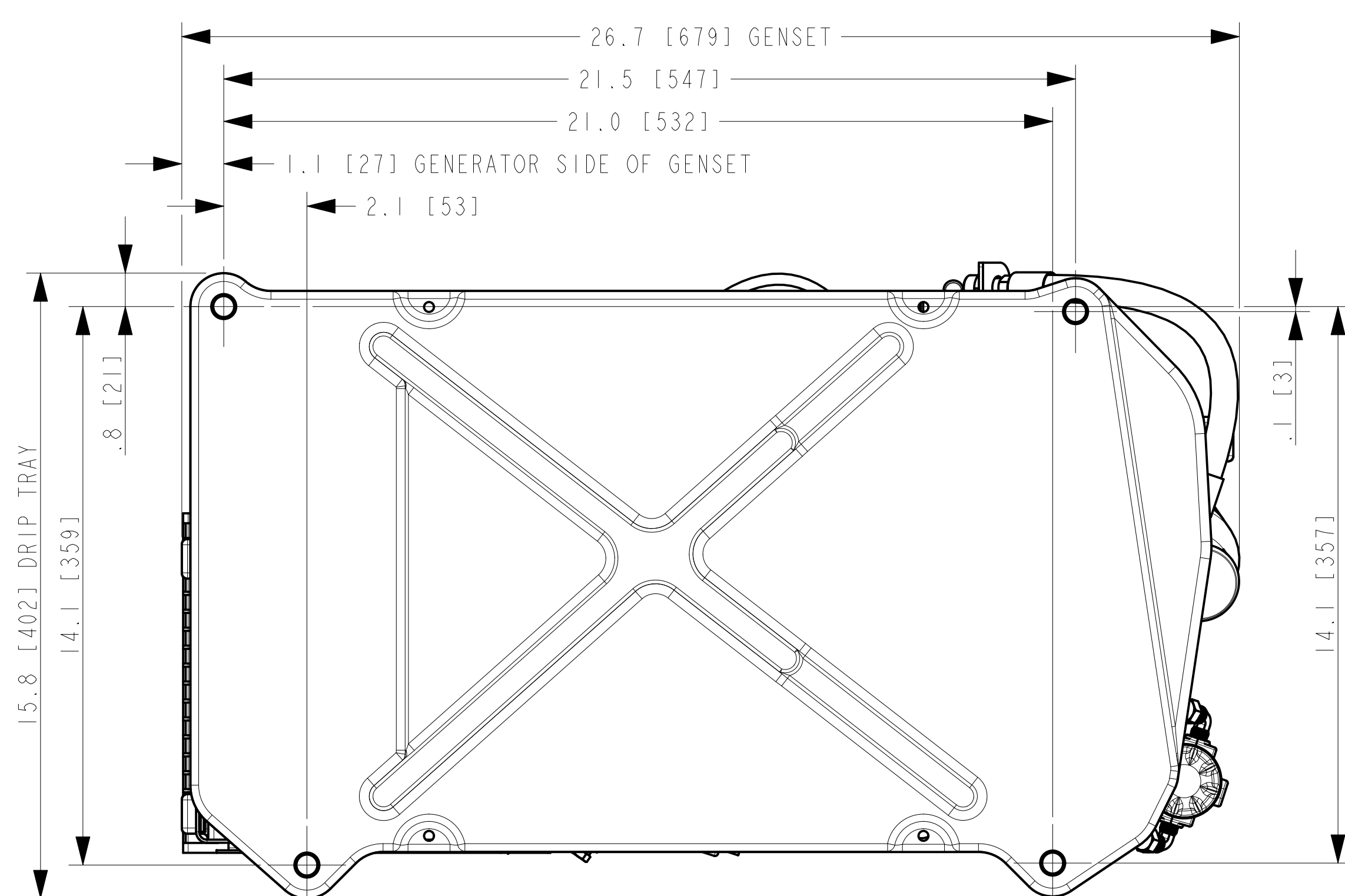
EXHAUST END



NON-SERVICE SIDE



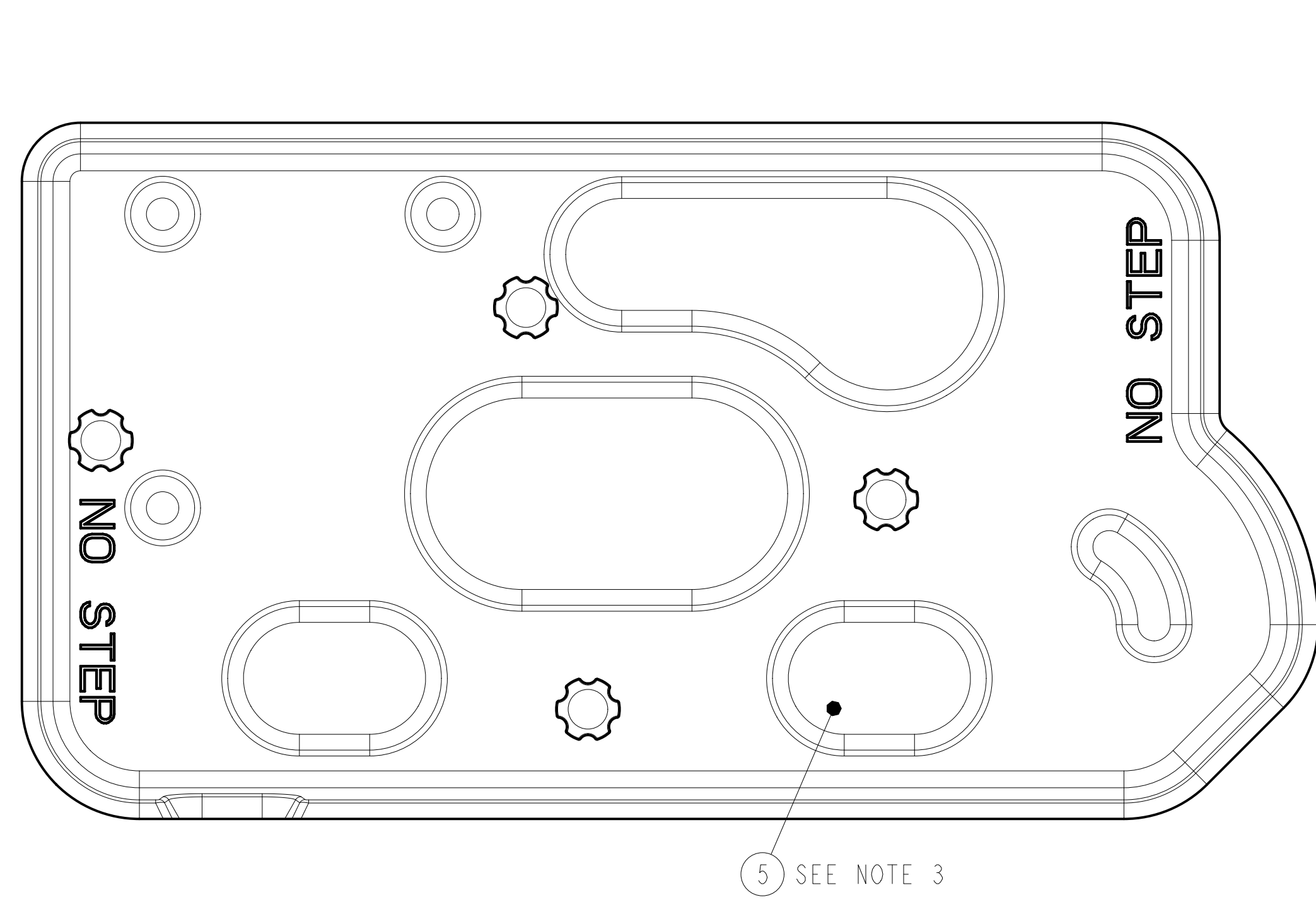
GENERATOR END



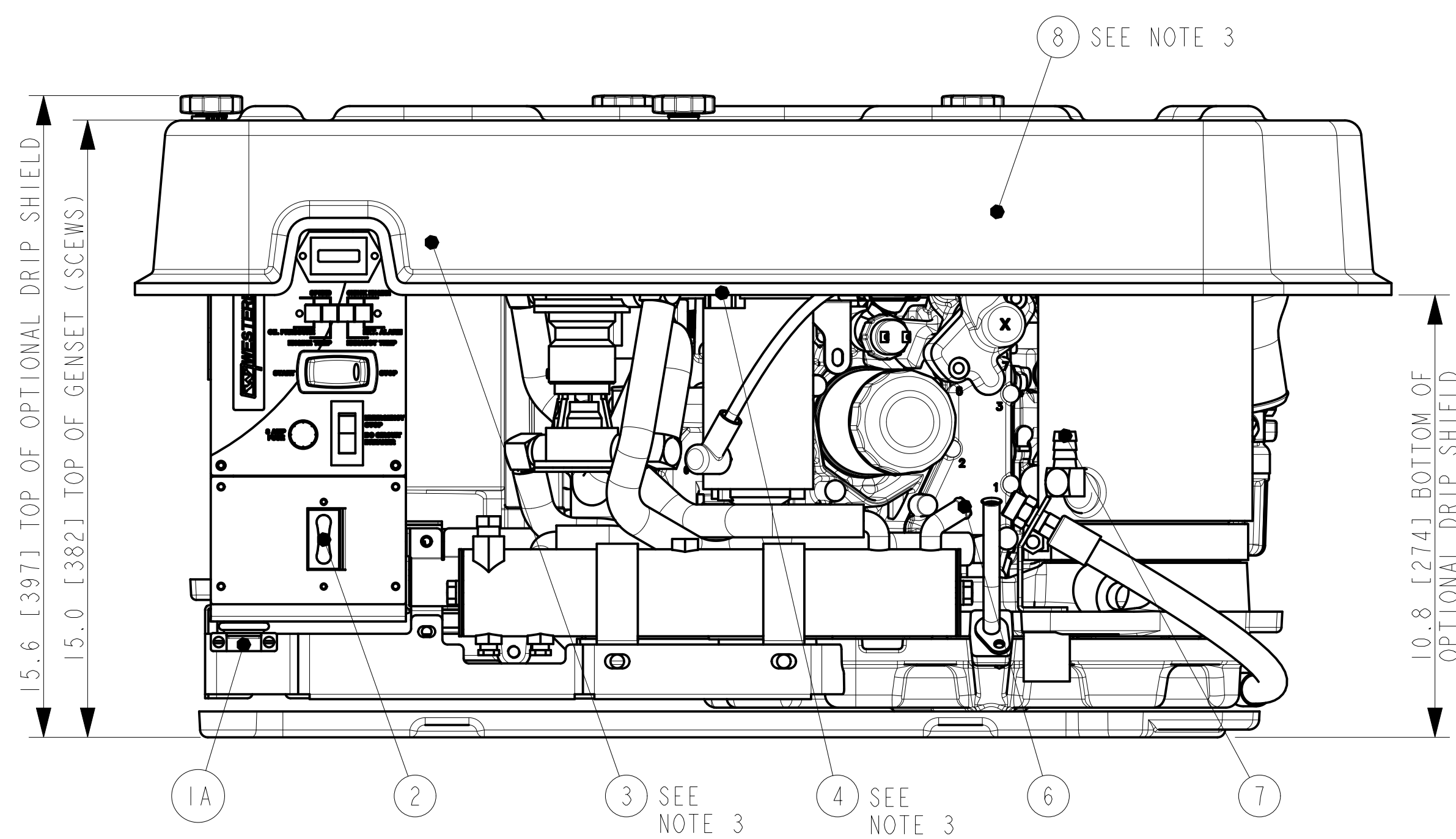
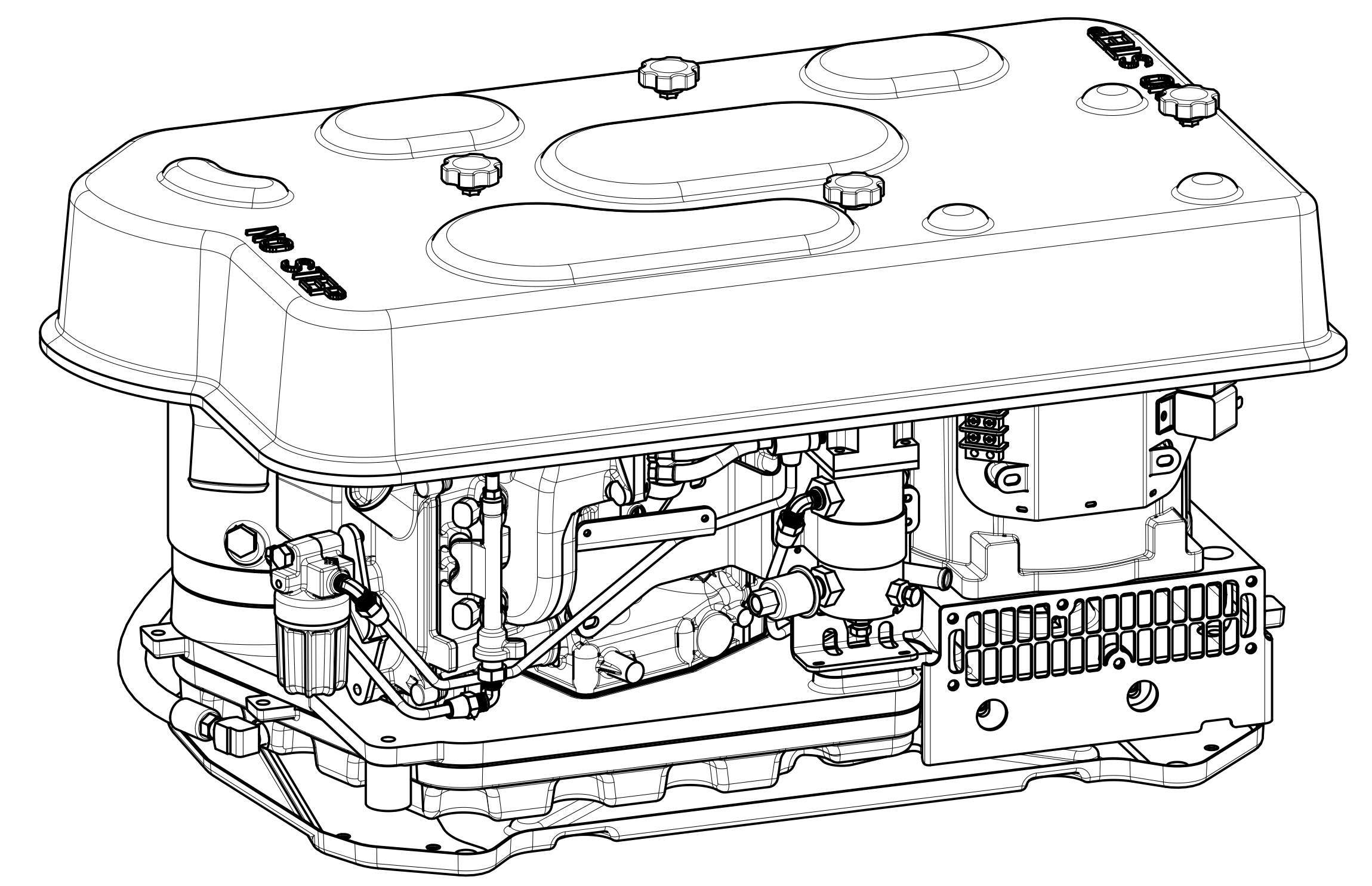
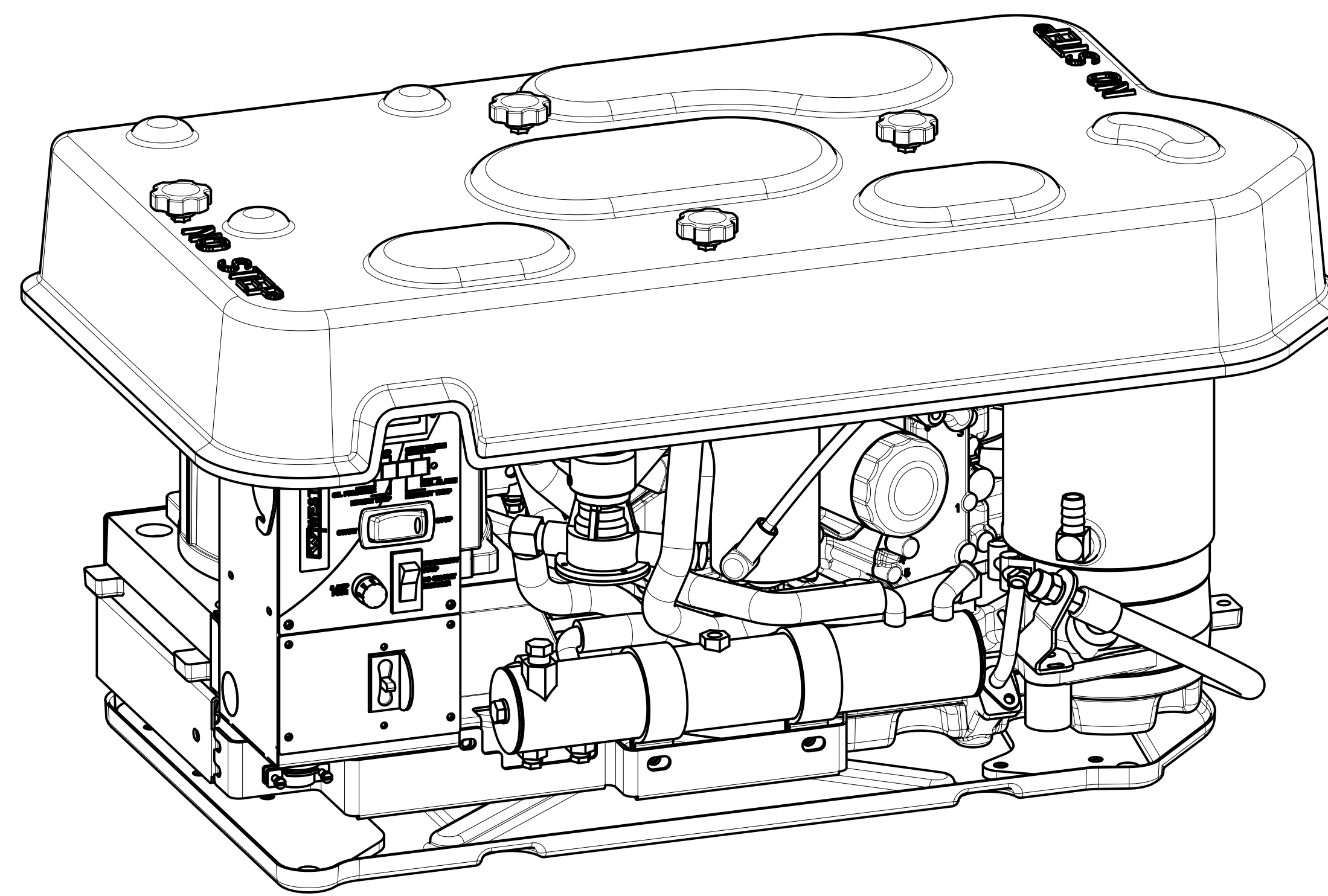
BOTTOM

| ITEM | CONNECTIONS |
|------|---|
| 1A | AC POWER |
| 1B | AC POWER (OPTIONAL) |
| 2 | A/C CIRCUIT BREAKER |
| 3 | REMOTE PANEL |
| 4 | BATTERY (NEG), CONNECTS TO STARTER GROUND STUD |
| 5 | BATTERY (POS), CONNECTS TO STARTER SOLENOID |
| 6 | RAW WATER OUTLET (TO SIPHON BREAK), REQUIRES 1/2 IN ID HOSE TO CONNECT |
| 7 | RAW WATER INLET (FROM SIPHON BREAK), REQUIRES 1/2 IN ID HOSE TO CONNECT |
| 8 | COOLANT OVERFLOW, REQUIRES 5/16 IN ID HOSE TO CONNECT |
| 9 | WET EXHAUST, REQUIRES 2 IN ID HOSE TO CONNECT |
| 10 | FUEL LINE, REQUIRES 1/8-27 NPT MALE TO CONNECT |
| 11 | RAW WATER INLET, REQUIRES 1/2 IN ID HOSE TO CONNECT |
| 12 | FIRE BOY |

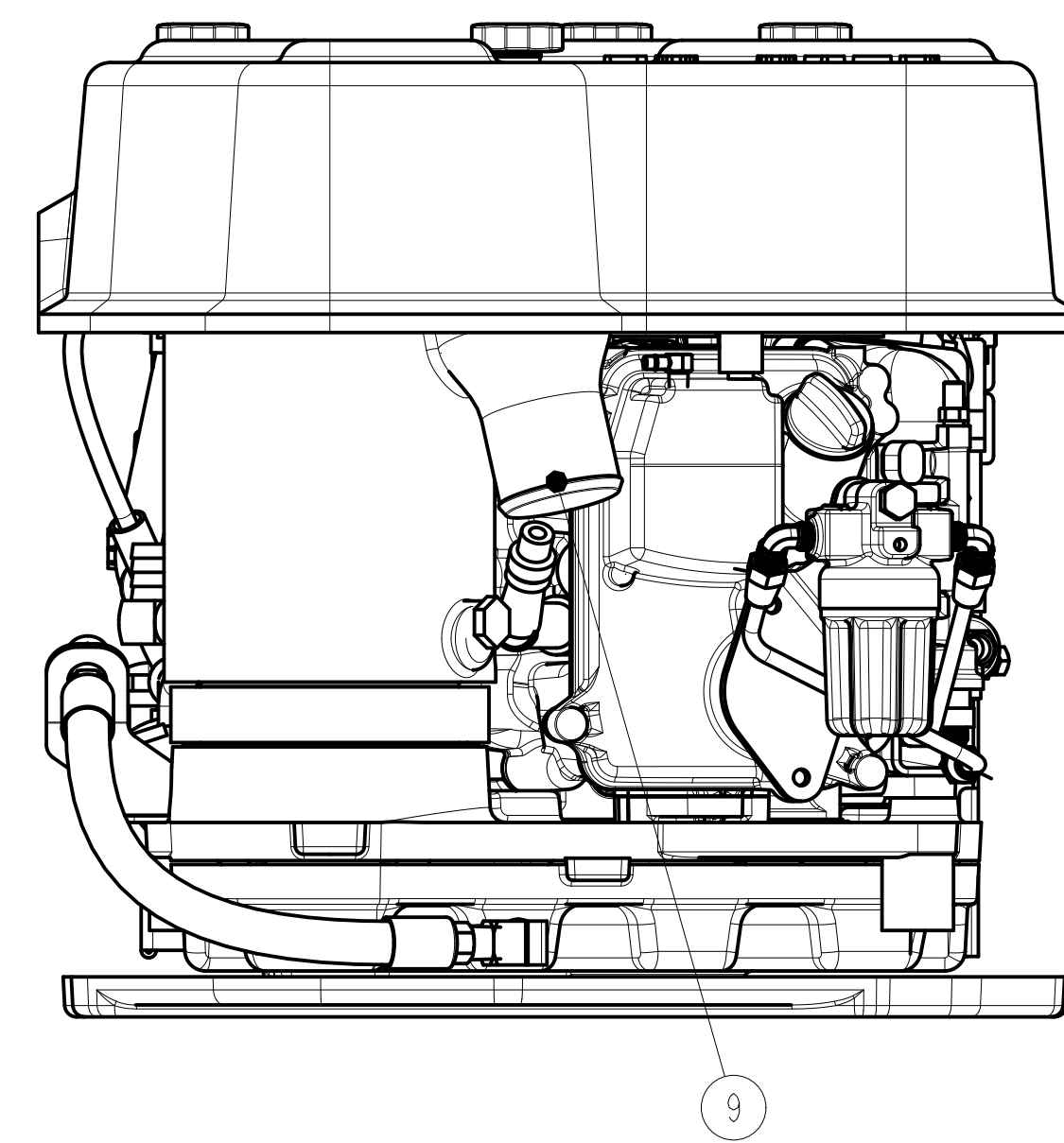
NOTES (UNLESS OTHERWISE SPECIFIED)
 1. DIMENSIONS: INCH [MM]
 2. TOLERANCE: ±.375 [9.5]



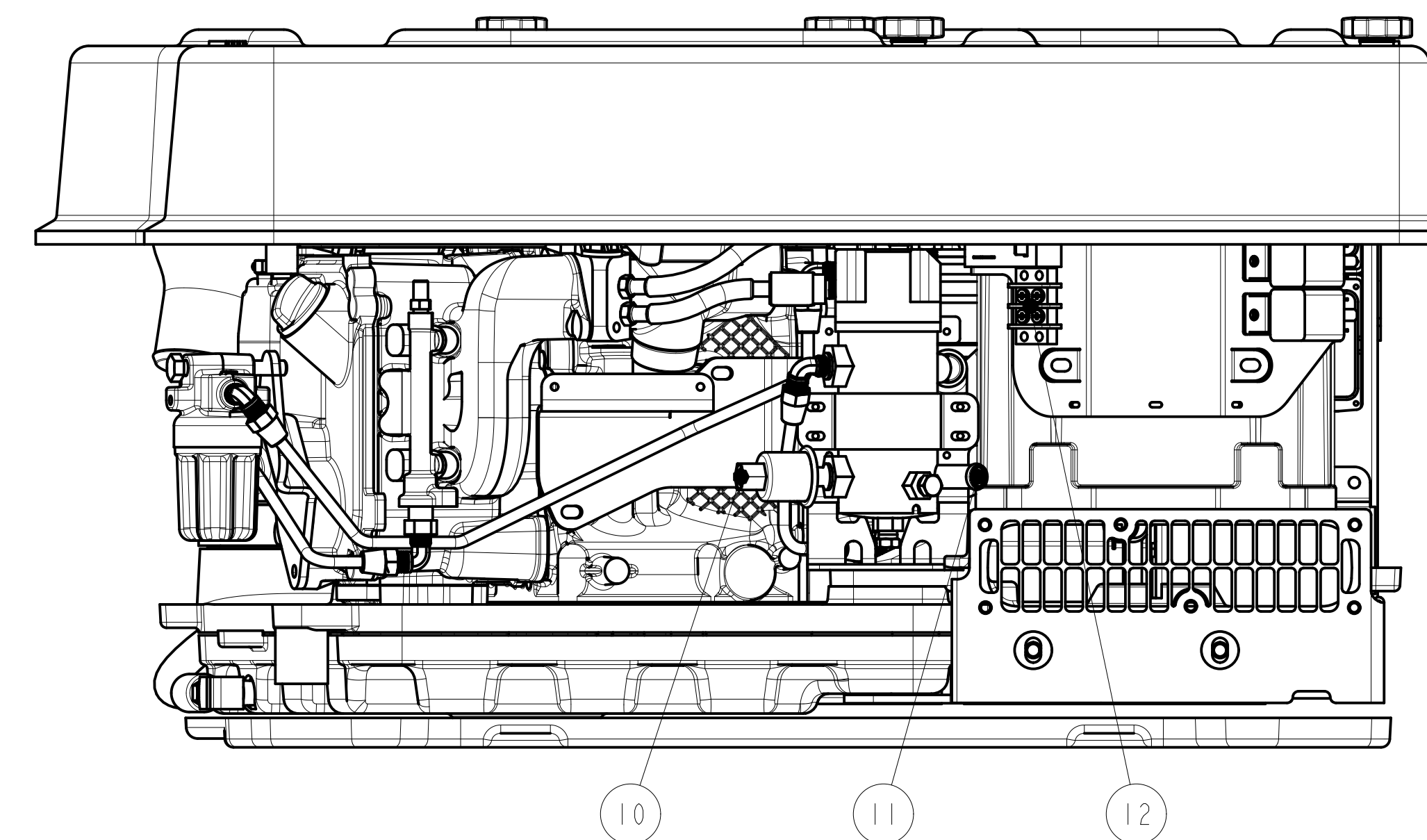
TOP



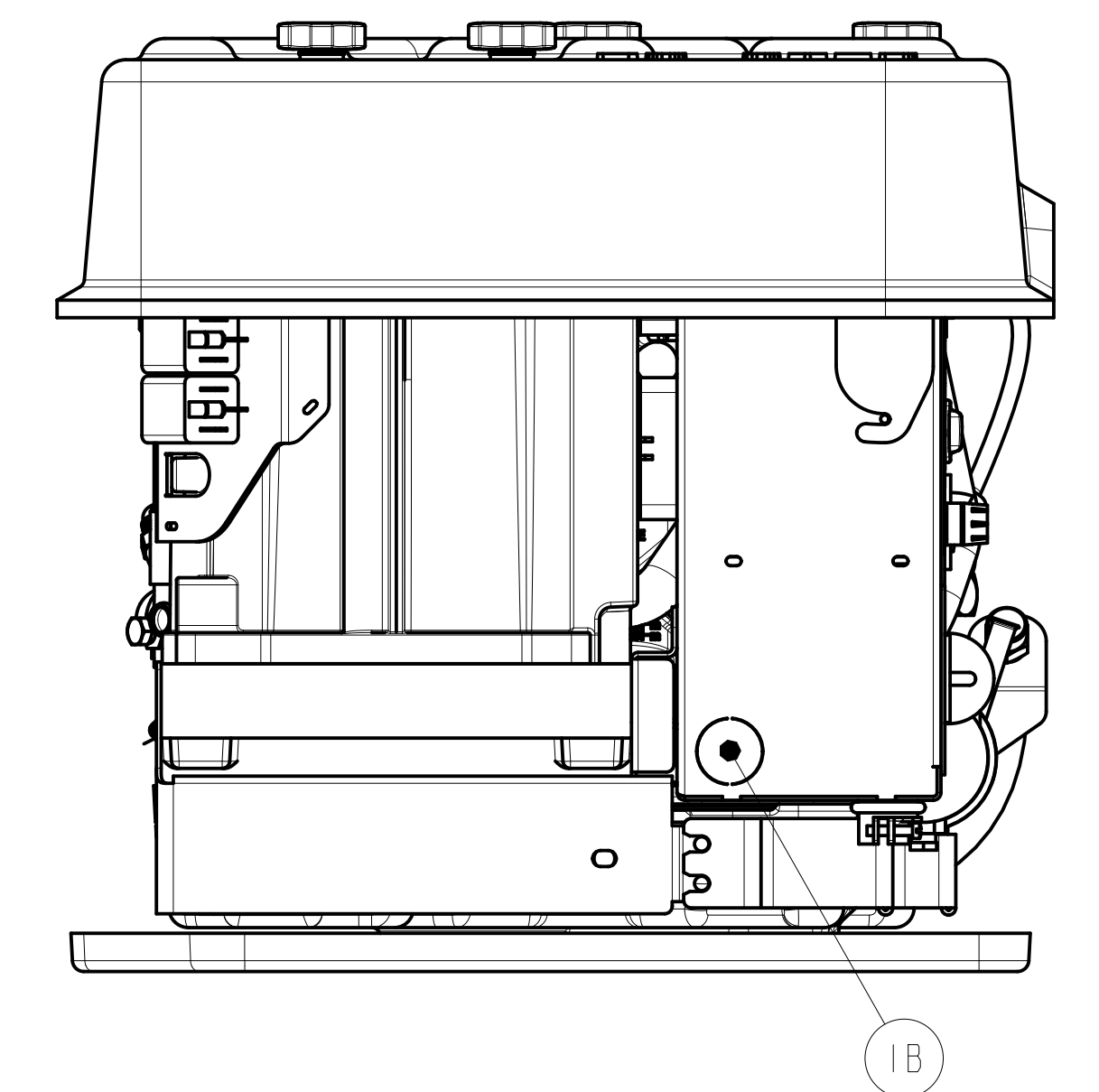
SERVICE SIDE



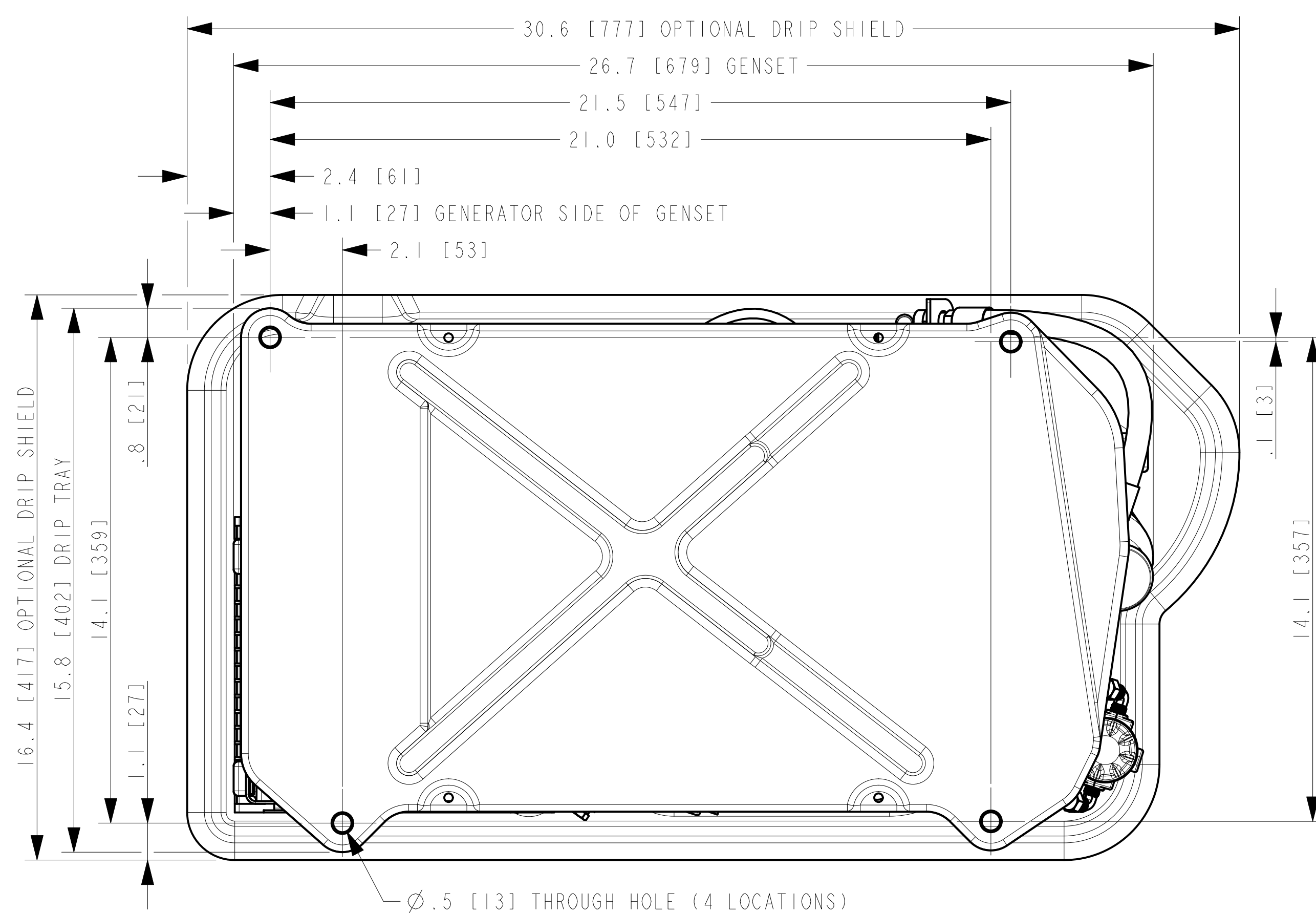
EXHAUST END



NON-SERVICE SIDE



GENERATOR END



BOTTOM

| ITEM | CONNECTIONS |
|------|---|
| 1A | AC POWER |
| 1B | AC POWER (OPTIONAL) |
| 2 | A/C CIRCUIT BREAKER |
| 3 | REMOTE PANEL |
| 4 | BATTERY (NEG), CONNECTS TO STARTER GROUND STUD |
| 5 | BATTERY (POS), CONNECTS TO STARTER SOLENOID |
| 6 | RAW WATER OUTLET (TO SIPHON BREAK), REQUIRES 1/2 IN ID HOSE TO CONNECT |
| 7 | RAW WATER INLET (FROM SIPHON BREAK), REQUIRES 1/2 IN ID HOSE TO CONNECT |
| 8 | COOLANT OVERFLOW, REQUIRES 5/16 IN ID HOSE TO CONNECT |
| 9 | WET EXHAUST, REQUIRES 2 IN ID HOSE TO CONNECT |
| 10 | FUEL LINE, REQUIRES 1/8-27 NPT MALE TO CONNECT |
| 11 | RAW WATER INLET, REQUIRES 1/2 IN ID HOSE TO CONNECT |
| 12 | FIRE BOY |

NOTES (UNLESS OTHERWISE SPECIFIED)
 1. DIMENSIONS: INCH [MM]
 2. TOLERANCE: ±.375 [9.5]
 3. OBSTRUCTED BY OPTIONAL DRIP SHIELD